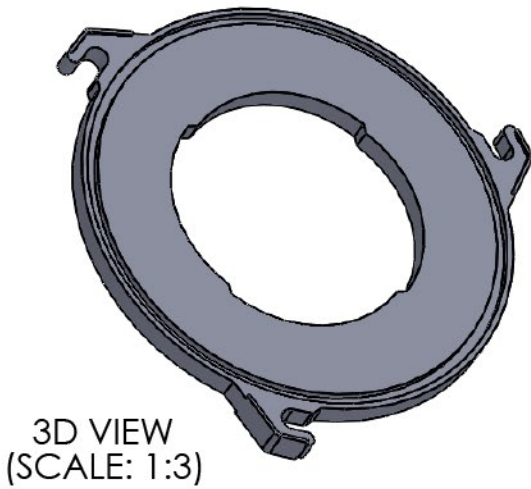
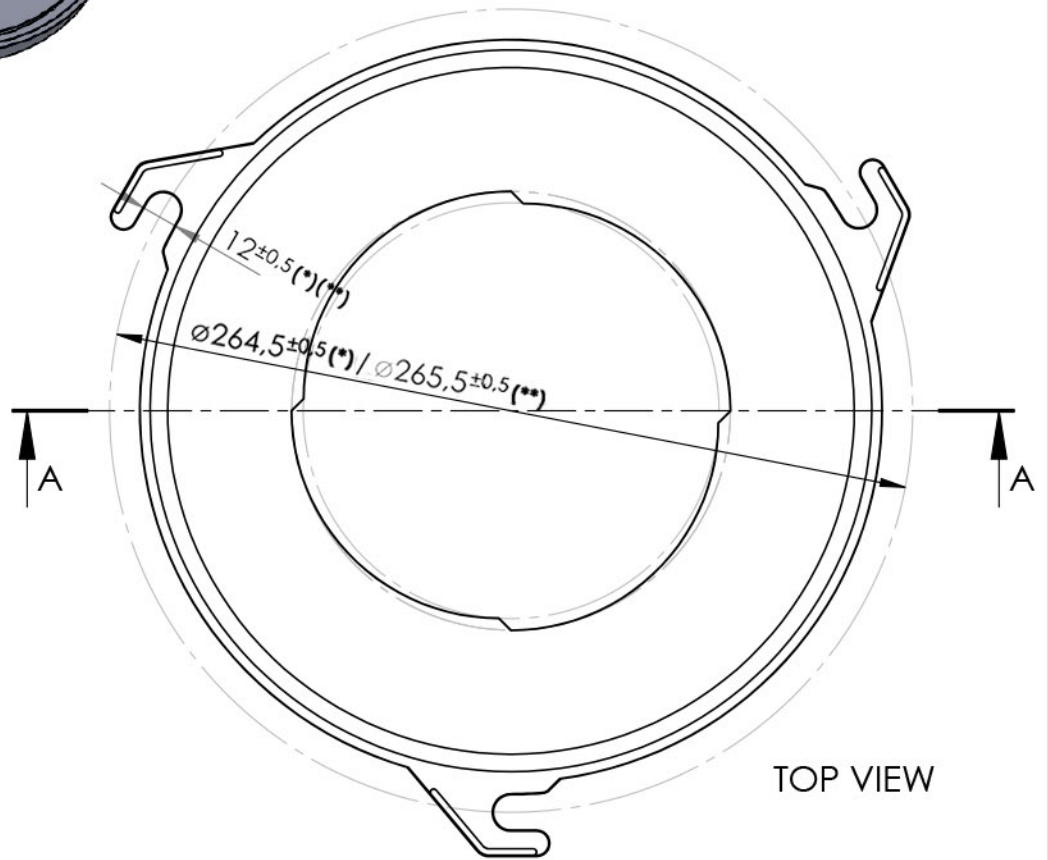


SECTION VIEW
(SECTION A-A)



3D VIEW
(SCALE: 1:3)



TOP VIEW

Note: This position is prepared for operating temperatures:

OPERATING TEMP. UP TO:	POSITION	MATERIAL	
+ 60 °C	JXPF-225-3L-V	STANDARD PLASTICS	(*)
+ 100 °C	JXPF-225-3L-V-HT1	REINFORCED PLASTICS	(**)
+ 140 °C	JXPF-225-3L-V-HT2	REINFORCED & HEAT RESISTANT PLASTICS	(**)

UNLESS OTHERWISE SPECIFIED: DIMENSIONS ARE IN MILLIMETERS SURFACE FINISH: TOLERANCES: LINEAR: ANGULAR:		FINISH:	DEBUR AND BREAK SHARP EDGES	DO NOT SCALE DRAWING	REVISION
				JP Air Tech	
NAME	SIGNATURE	DATE	TITLE: ALL INFORMATION CONTAINED IN OR DISCLOSED BY THIS DOCUMENT IS CONSIDERED CONFIDENTIAL AND PROPRIETARY BY JP AIR TECH. ALL DESIGN ARE EXPRESSLY RESERVED BY AND TO JP AIR TECH COMMUNICATION OF THIS INFORMATION TO OTHERS IS PROHIBITED WITHOUT THE PRIOR WRITTEN CONSENT OF JP AIR TECH.		
DRAWN	JP Air Tech	22.05.2012			
CHK'D	T. Pavlović	22.05.2012			
APPV'D					
MFG					
Q.A			MATERIAL: PLASTICS Color: BLACK	DWG NO.	JXPF-225-3L-V
WEIGHT:			SCALE: 1:2.5	SHEET 1 OF 1	