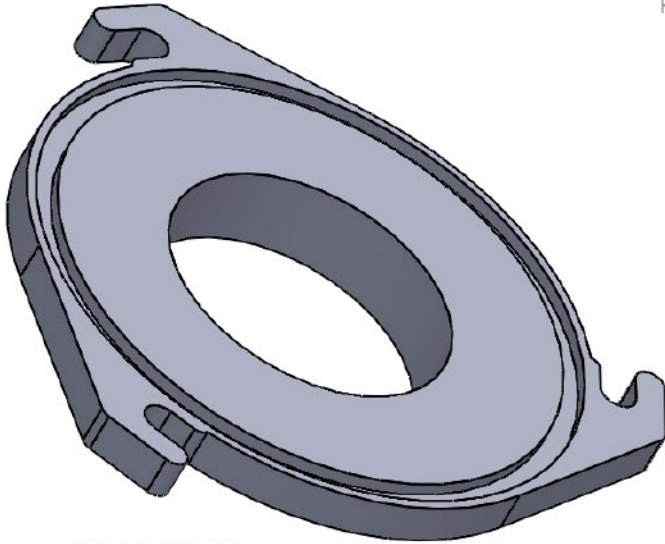
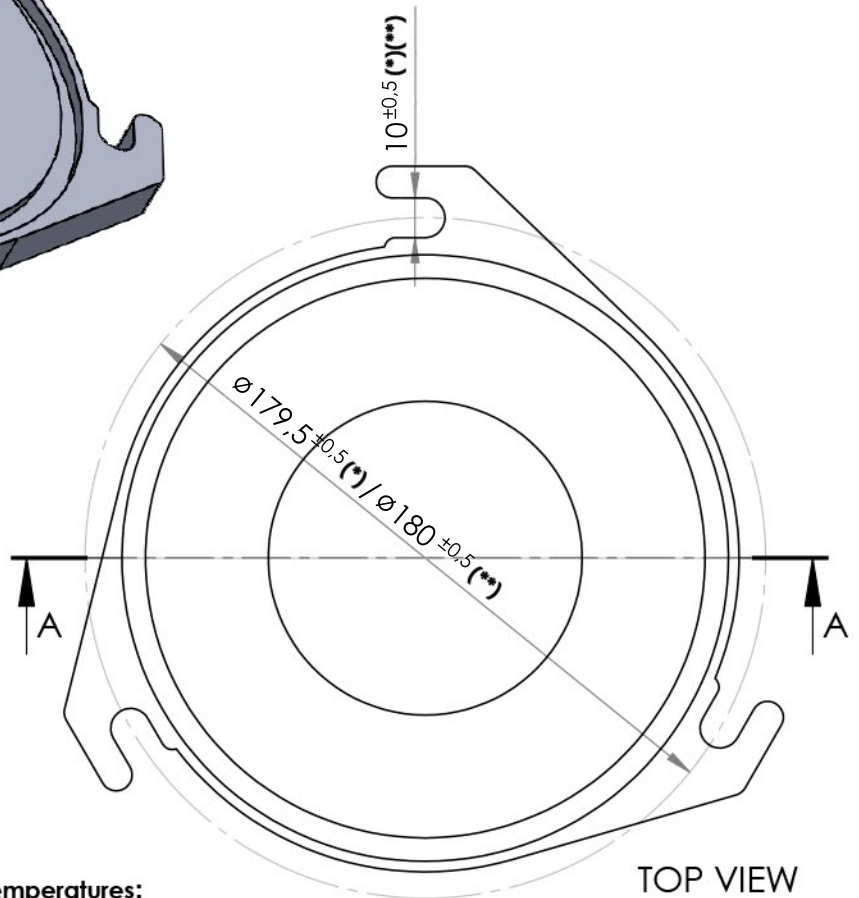


SECTION A-A



3D MODEL



TOP VIEW

Note: This position is prepared for operating temperatures:

OPERATING TEMP. UP TO:	POSITION	MATERIAL	
+ 60 ° C	JXPF-145	STANDARD PLASTICS	(*)
+ 100 ° C	JXPF-145-HT1	REINFORCED PLASTICS	(**)
+ 140 ° C	JXPF-145-HT2	REINFORCED & HEAT RESISTANT PLASTICS	(**)

UNLESS OTHERWISE SPECIFIED: DIMENSIONS ARE IN MILLIMETERS SURFACE FINISH: TOLERANCES: LINEAR: ANGULAR:	FINISH:	DEBUR AND BREAK SHARP EDGES

DO NOT SCALE DRAWING	REVISION
----------------------	----------

JP Air Tech

	NAME	SIGNATURE	DATE		
DRAWN	JP Air Tech		20.05.2012		
CHK'D	T. Pavlović		20.05.2012		
APPV'D					
MFG					
Q.A					
			MATERIAL:	PLASTICS (Color: BLACK)	
			WEIGHT:		

TITLE: ALL INFORMATION CONTAINED IN OR DISCLOSED BY THIS DOCUMENT IS CONSIDERED CONFIDENTIAL AND PROPRIETARY BY JP AIR TECH. ALL DESIGN ARE EXPRESSLY RESERVED BY AND TO JP AIR TECH AND COMMUNICATION OF THIS INFORMATION TO OTHERS IS PROHIBITED WITHOUT THE PRIOR WRITTEN CONSENT OF JP AIR TECH.	
DWG NO.	JXPF-145
SCALE:1:2	SHEET 1 OF 1

A4