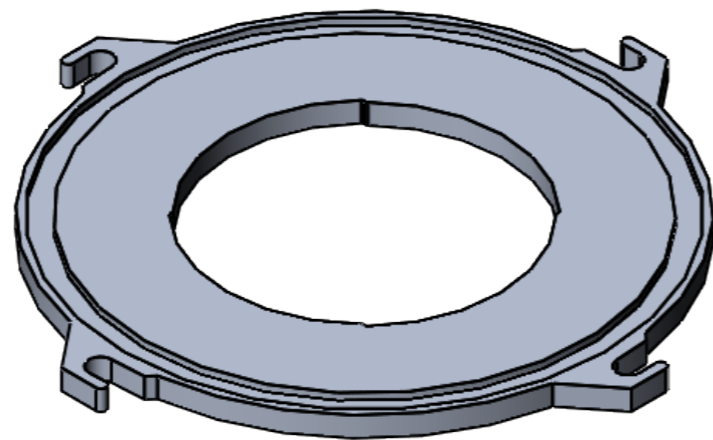


SECTION A-A  
SCALE 1 : 3



Grade CT 7 for Aluminium die casting tolerance according to SS-EN ISO 8062	
METRIC - Milimeters	Casting tolerance grade
Range	CT7
0 to 10	0,74
10 to 16	0,78
16 to 25	0,82
34 to 40	0,90
40 to 63	1,00
63 to 100	1,10
100 to 160	1,20
160 to 250	1,40
250 to 400	1,60
400 to 630	2,60

UNLESS OTHERWISE SPECIFIED: DIMENSIONS ARE IN MILLIMETERS SURFACE FINISH: TOLERANCES: LINEAR: ANGULAR:				FINISH:		DEBUR AND BREAK SHARP EDGES		DO NOT SCALE DRAWING		REVISION 01	
DRAWN SP								SIGNATURE		DATE 12.05.2019	
CHK'D								MATERIAL:		TITLE:	
APPV'D								EN AC 44100 offset		JP Air Tech	
MFG								WEIGHT: 1411.6		Aluminum flange	
Q.A								SCALE:1:5		JXF 325 UNI. 4 LUGS	
								SHEET 1 OF 1		A3	