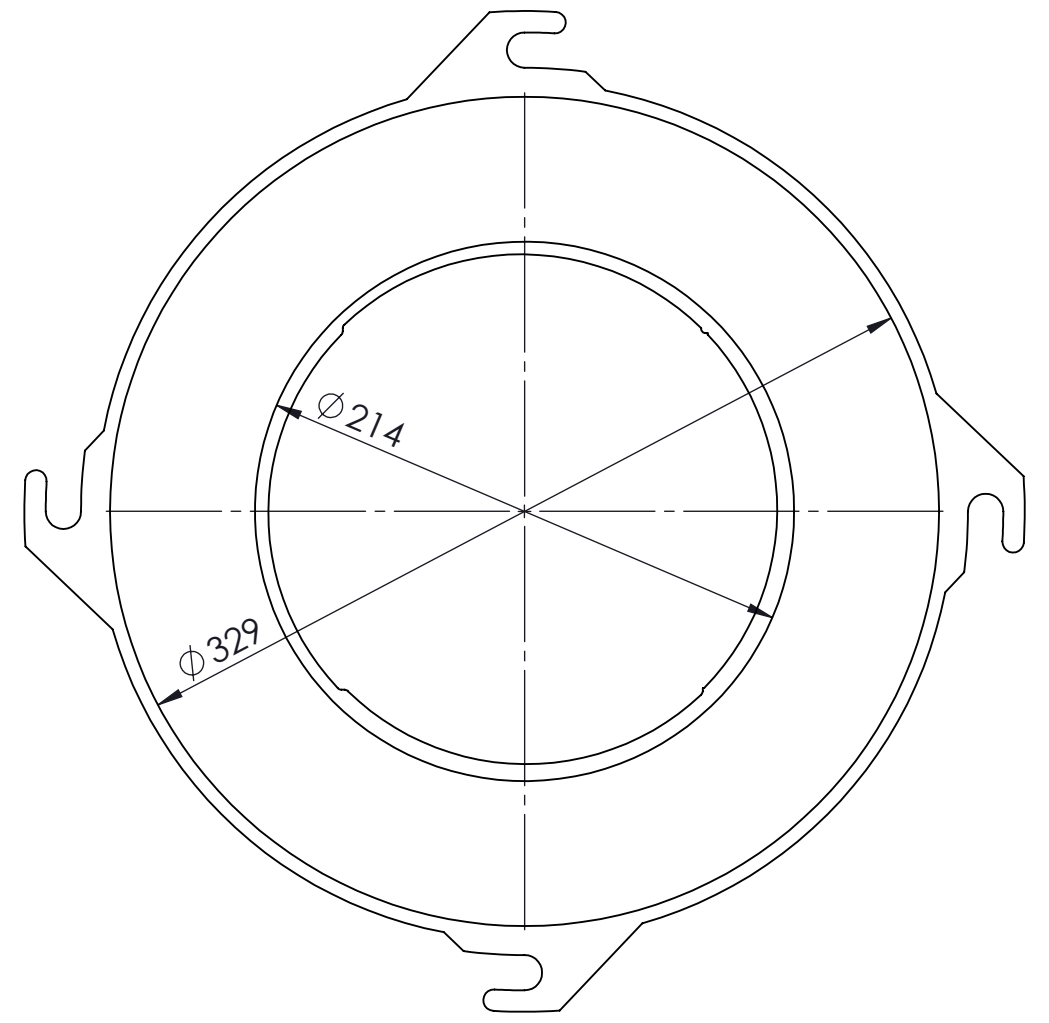
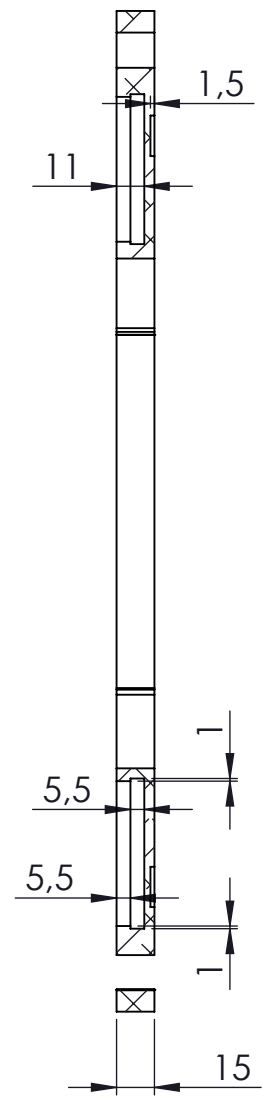
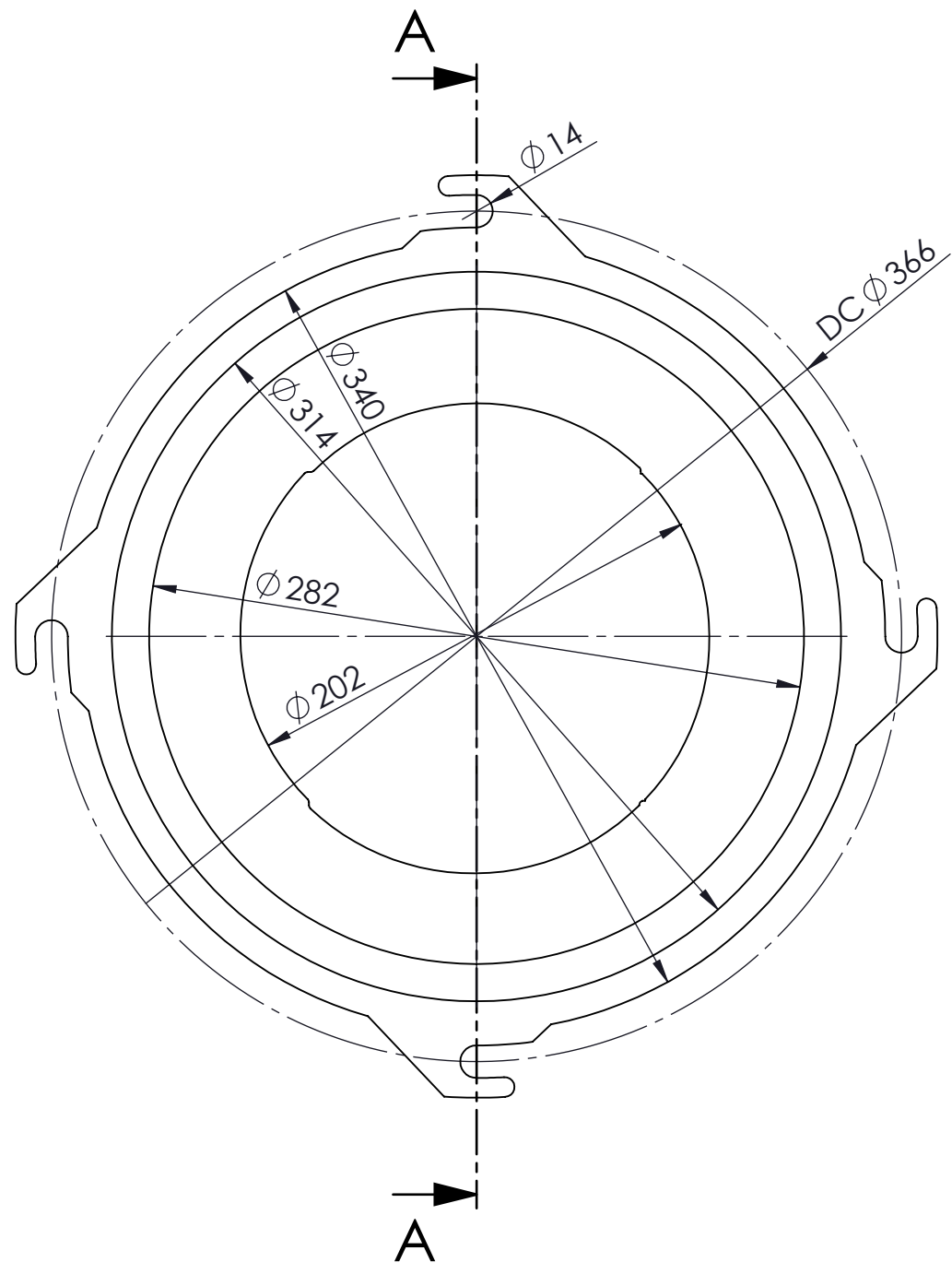


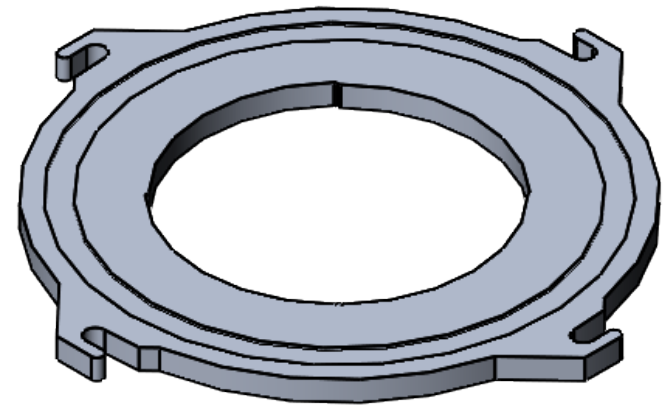
8 7 6 5 4 3 2 1

F  
E  
D  
C  
B  
A

F  
E  
D  
C  
B  
A



SECTION A-A  
SCALE 1 : 3



Grade CT 7 for Aluminium die casting tolerance according to SS-EN ISO 8062	
METRIC - Millimeters	Casting tolerance grade
Range	CT7
0 to 10	0,74
10 to 16	0,78
16 to 25	0,82
34 to 40	0,90
40 to 63	1,00
63 to 100	1,10
100 to 160	1,20
160 to 250	1,40
250 to 400	1,60
400 to 630	2,60

UNLESS OTHERWISE SPECIFIED: DIMENSIONS ARE IN MILLIMETERS SURFACE FINISH: TOLERANCES: LINEAR: ANGULAR:				FINISH:		DEBUR AND BREAK SHARP EDGES		DO NOT SCALE DRAWING		REVISION 01	
DRAWN SP								TITLE: <b>Aluminum flange</b>			
CHK'D								DWG NO. <b>JXF 325 - 5 - 4 LUGS</b> A3			
APPV'D								SCALE:1:5			
MFG								SHEET 1 OF 1			
Q.A								MATERIAL: EN AC 44100 offset			
WEIGHT: 1008.6											

8 7 6 5 4 3 2 1