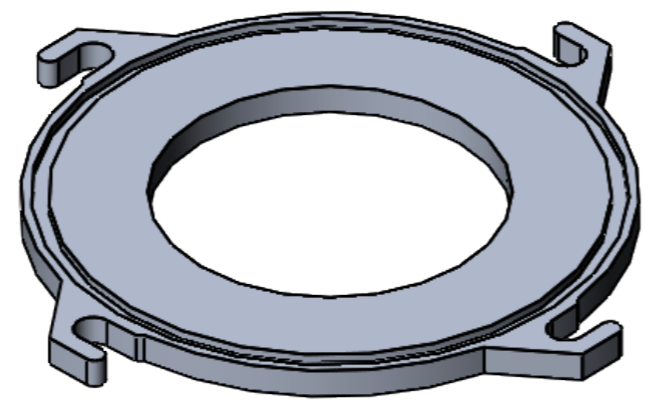


SECTION A-A
SCALE 1 : 2



Grade CT 7 for Aluminium die casting tolerance according to SS-EN ISO 8062	
METRIC - Milimeters	Casting tolerance grade
Range	CT7
0 to 10	0,74
10 to 16	0,78
16 to 25	0,82
34 to 40	0,90
40 to 63	1,00
63 to 100	1,10
100 to 160	1,20
160 to 250	1,40
250 to 400	1,60
400 to 630	2,60

UNLESS OTHERWISE SPECIFIED: DIMENSIONS ARE IN MILLIMETERS SURFACE FINISH: TOLERANCES: LINEAR: ANGULAR:				FINISH:	DEBUR AND BREAK SHARP EDGES	DO NOT SCALE DRAWING	REVISION 01
						JP Air Tech	
						TITLE: Aluminum flange	
DRAWN SP				SIGNATURE		DATE 12.05.2019	
CHK'D				MATERIAL: EN AC 44100 offset		DWG NO. JXF 225 - 4 LUGS A3	
APPV'D				WEIGHT: 622.3		SCALE: 1:5	
MFG						SHEET 1 OF 1	
Q.A							