

8 7 6 5 4 3 2 1

F

E

D

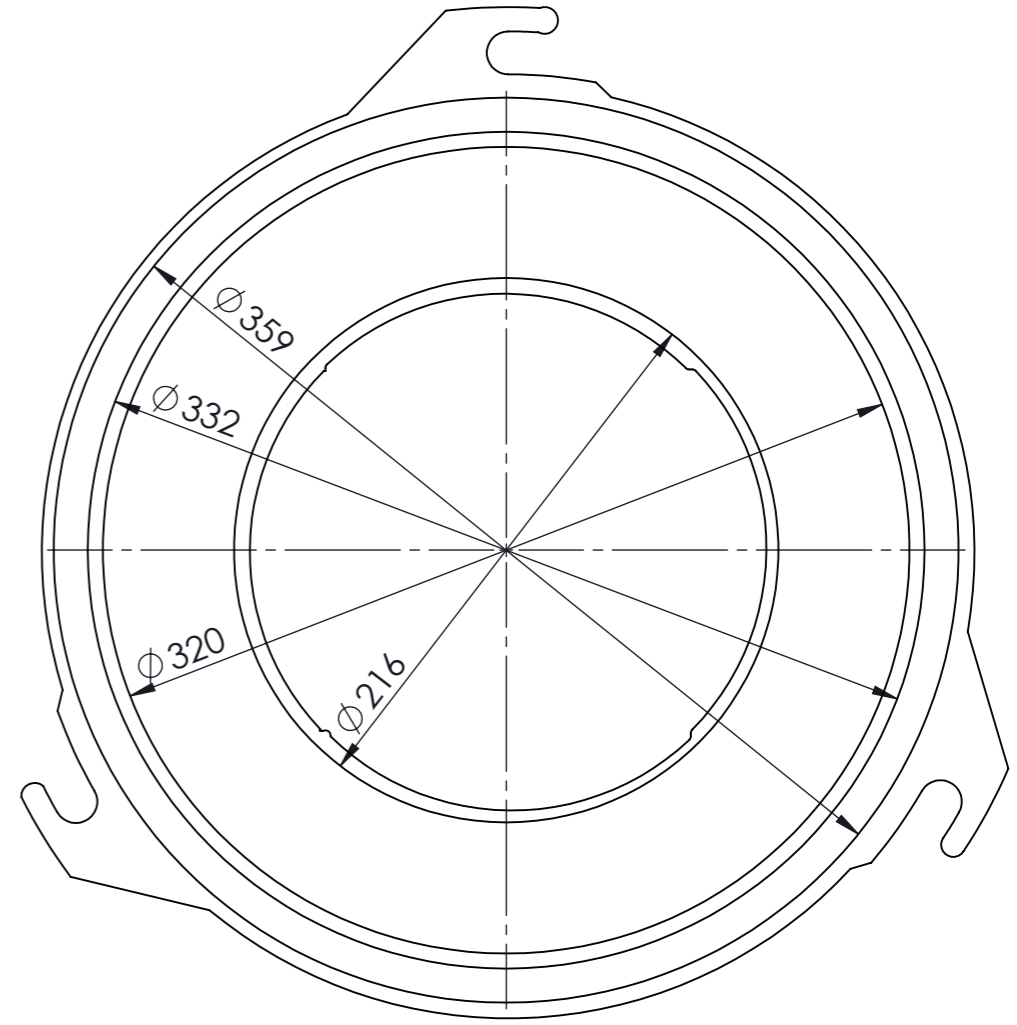
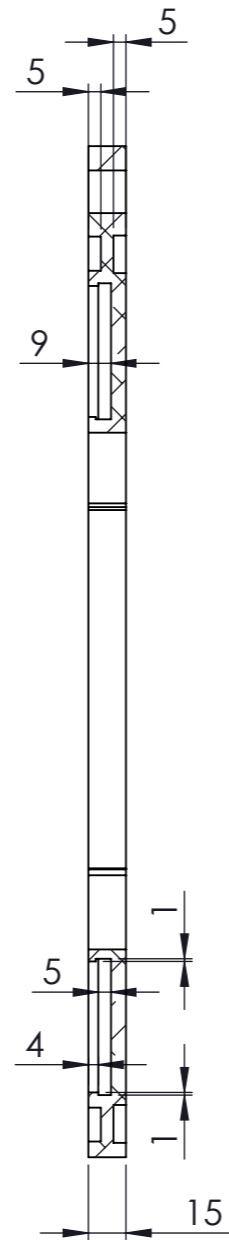
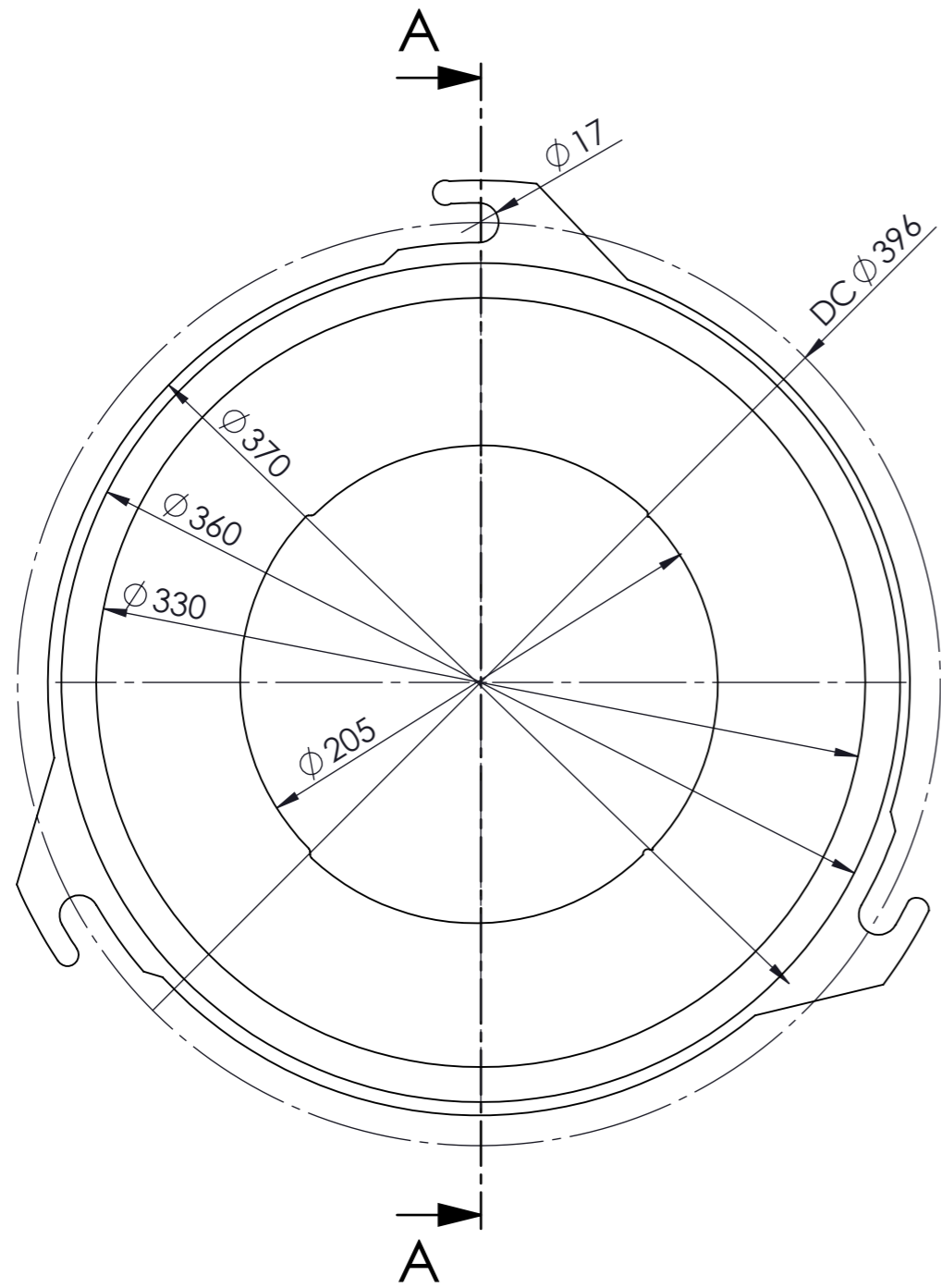
C

F

E

D

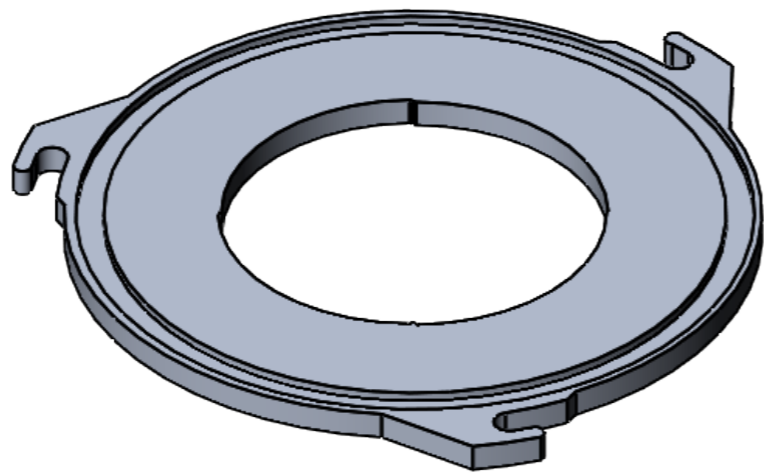
C



SECTION A-A  
SCALE 1 : 3

Grade CT 7 for Aluminium die casting  
tolerance according to SS-EN ISO 8062

METRIC - Milimeters	Casting tolerance grade
Range	CT7
0 to 10	0,74
10 to 16	0,78
16 to 25	0,82
34 to 40	0,90
40 to 63	1,00
63 to 100	1,10
100 to 160	1,20
160 to 250	1,40
250 to 400	1,60
400 to 630	2,60



UNLESS OTHERWISE SPECIFIED: DIMENSIONS ARE IN MILLIMETERS SURFACE FINISH: TOLERANCES: LINEAR: ANGULAR:		FINISH:	DEBUR AND BREAK SHARP EDGES	DO NOT SCALE DRAWING	REVISION 01
DRAWN SP 12.05.2019				TITLE: <b>Aluminum flange</b>	
MATERIAL: EN AC 44100 offset				DWG NO. <b>JXF 325 UNI. 3 LUGS</b>	A3
WEIGHT: 1704.3				SCALE:1:5	SHEET 1 OF 1

8 7 6 5 4 3 2 1