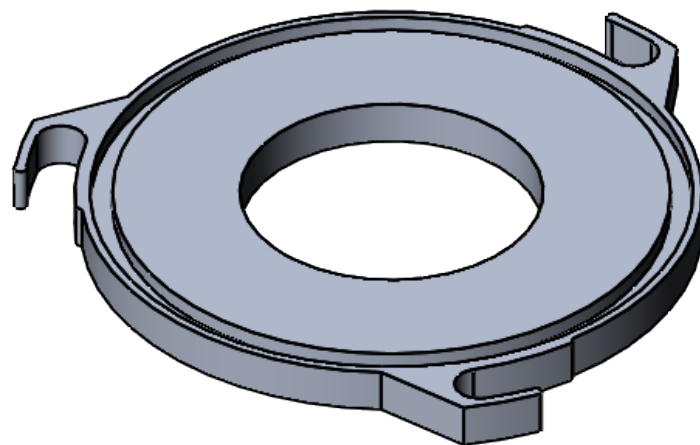


SECTION A-A



Grade CT 7 for Aluminium die casting tolerance according to SS-EN ISO 8062	
METRIC- Millimeters	Casting tolerance grade
Range	CT7
0 to 10	0,74
10 to 16	0,78
16 to 25	0,82
34 to 40	0,90
40 to 63	1,00
63 to 100	1,10
100 to 160	1,20
160 to 250	1,40
250 to 400	1,60
400 to 630	2,60

UNLESS OTHERWISE SPECIFIED: DIMENSIONS ARE IN MILLIMETERS SURFACE FINISH: TOLERANCES: LINEAR: ANGULAR:				FINISH:		DEBUR AND BREAK SHARP EDGES		DO NOT SCALE DRAWING		REVISION 01	
DRAWN SP 12.05.2019								TITLE: Aluminum flange			
MATERIAL: EN AC 44100 offset								DWG NO. JXF 145 - 3 lugs		A3	
WEIGHT: 224.5								SCALE:1:2		SHEET 1 OF 1	