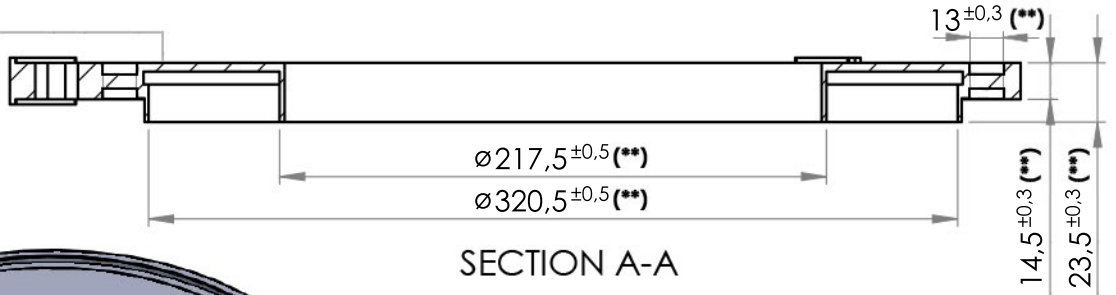
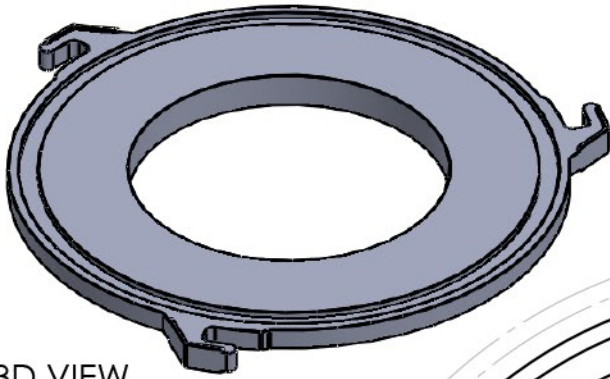


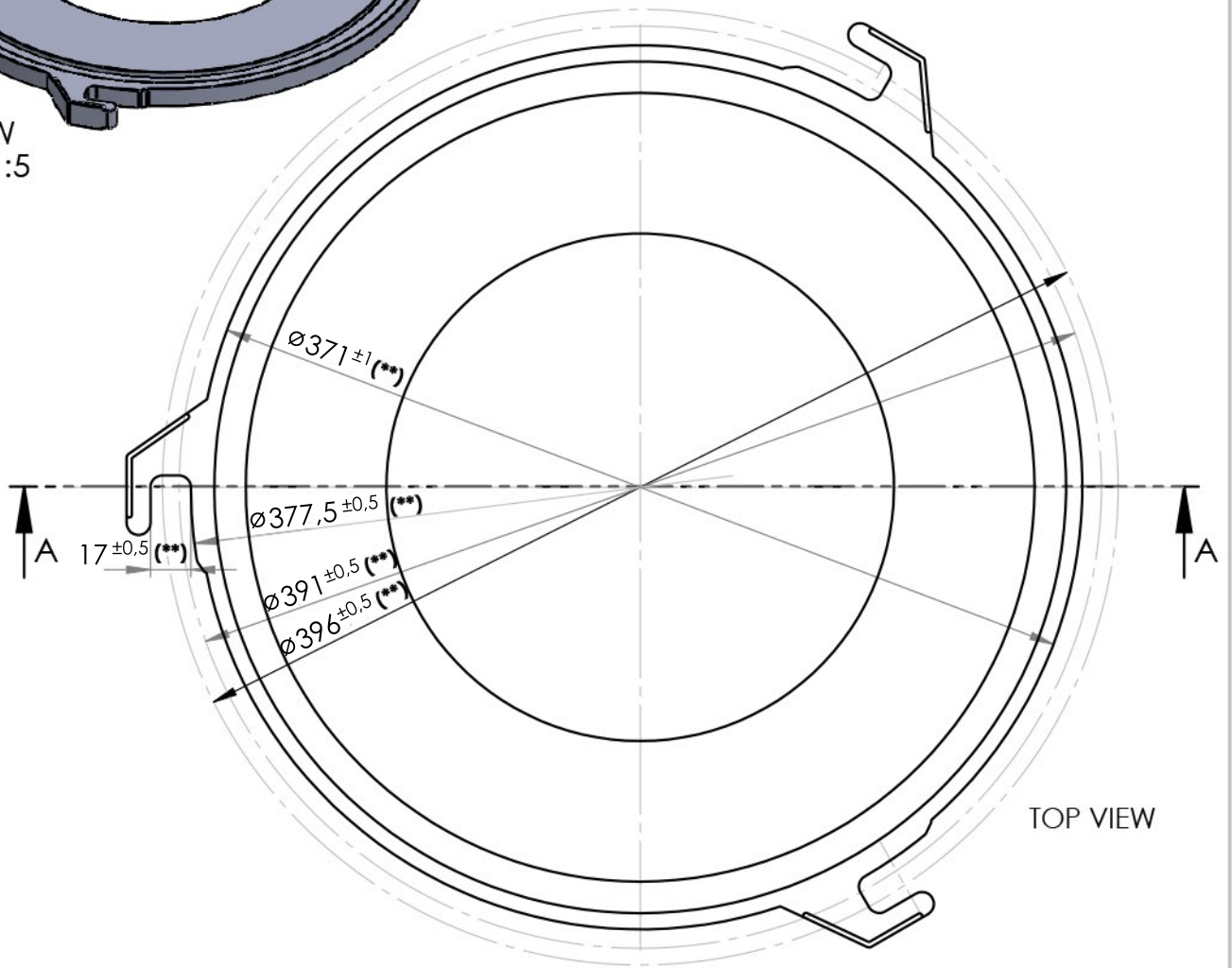
1,5



SECTION A-A



3D VIEW
SCALE 1:5



TOP VIEW

Note: This position is prepared for operating temperatures:

OPERATING TEMP. UP TO:	POSITION	MATERIAL	
+ 60 ° C	JXPF-325-UNIVERSAL-3L	STANDARD PLASTICS	(*)
+ 100 ° C	JXPF-325-UNIVERSAL-3L-HT1	REINFORCED PLASTICS	(**)
+ 140 ° C	JXPF-325-UNIVERSAL-3L-HT2	REINFORCED & HEAT RESISTANT PLASTICS	(**)

UNLESS OTHERWISE SPECIFIED:
DIMENSIONS ARE IN MILLIMETERS
SURFACE FINISH:
TOLERANCES:
LINEAR:
ANGULAR:

FINISH:

DEBUR AND
BREAK SHARP
EDGES

DO NOT SCALE DRAWING

REVISION

JP Air Tech

	NAME	SIGNATURE	DATE	
DRAWN	JP Air Tech		13.05.2014	
CHK'D	T. Pavlović		13.05.2014	
APPV'D				
MFG				
Q.A				
				MATERIAL: PLASTICS (Color: BLACK)
				WEIGHT:

TITLE: ALL INFORMATION CONTAINED IN OR DISCLOSED BY THIS DOCUMENT IS CONSIDERED CONFIDENTIAL AND PROPRIETARY BY JP AIR TECH. ALL DESIGN ARE EXPRESSLY RESERVED BY AND TO JP AIR TECH. AND COMMUNICATION OF THIS INFORMATION TO OTHERS IS PROHIBITED WITHOUT THE PRIOR WRITTEN CONSENT OF JP AIR TECH.

DWG NO.

JXPF-325-UNIVERSAL-3L

A4

SCALE: 1:3

SHEET 1 OF 1