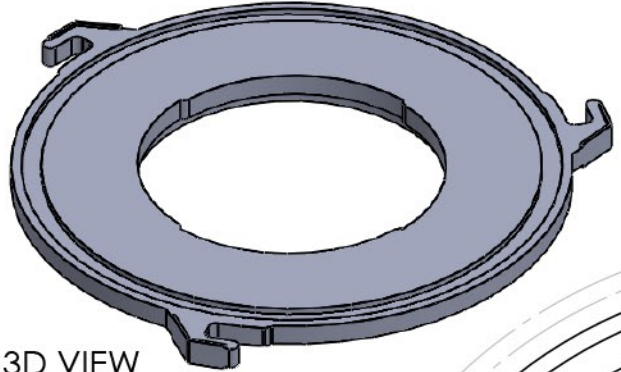
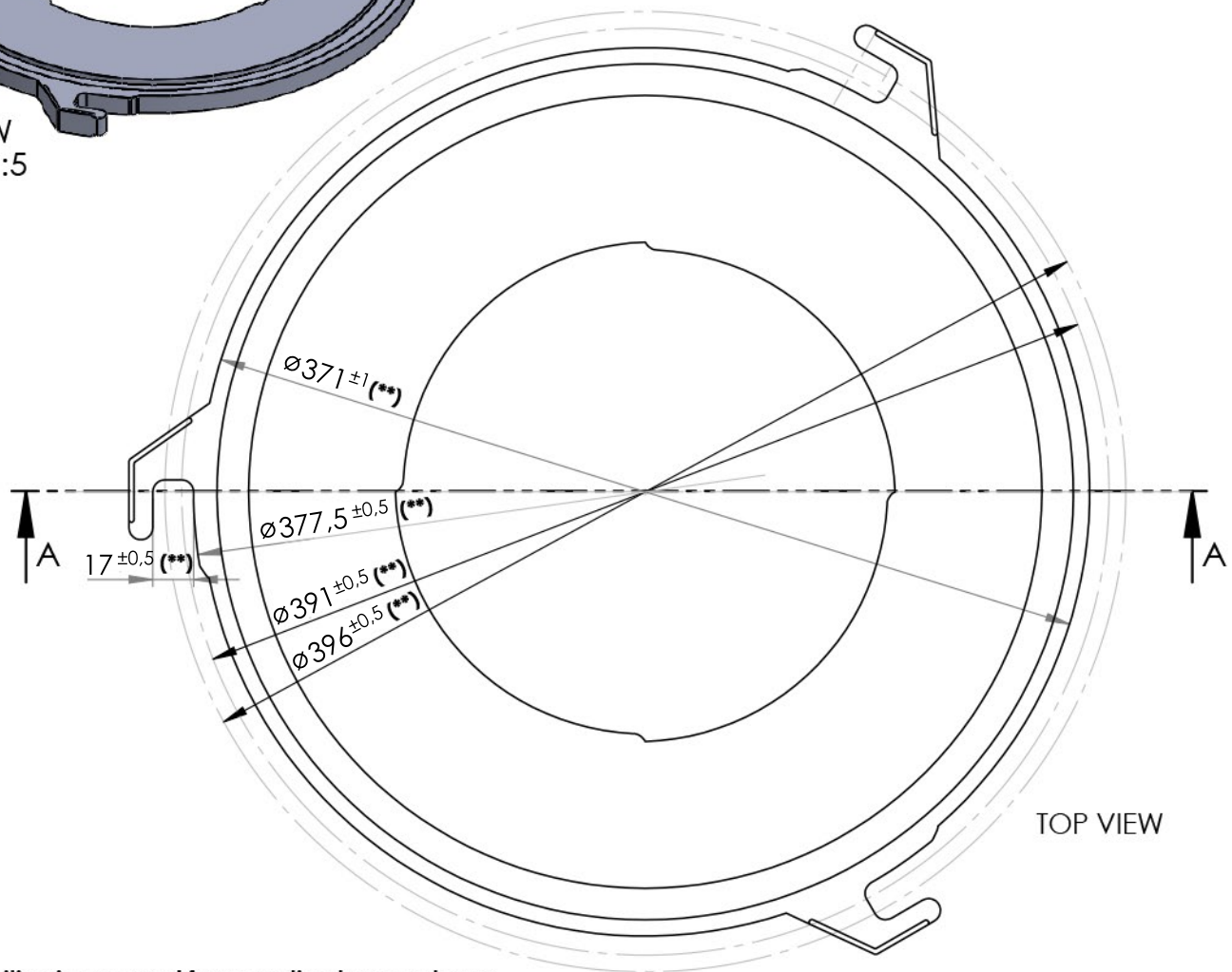


SECTION A-A



3D VIEW  
SCALE 1:5



TOP VIEW

**Note: This position is prepared for operating temperatures:**

| OPERATING TEMP. UP TO: | POSITION                    | MATERIAL                             |      |
|------------------------|-----------------------------|--------------------------------------|------|
| + 60 ° C               | JXPF-325-UNIVERSAL-3L-V     | STANDARD PLASTICS                    | (*)  |
| + 100 ° C              | JXPF-325-UNIVERSAL-3L-V-HT1 | REINFORCED PLASTICS                  | (**) |
| + 140 ° C              | JXPF-325-UNIVERSAL-3L-V-HT2 | REINFORCED & HEAT RESISTANT PLASTICS | (**) |

UNLESS OTHERWISE SPECIFIED:  
DIMENSIONS ARE IN MILLIMETERS  
SURFACE FINISH:  
TOLERANCES:  
LINEAR:  
ANGULAR:

FINISH:

DEBUR AND BREAK SHARP EDGES

DO NOT SCALE DRAWING

REVISION

**JP Air Tech**

|           | NAME        | SIGNATURE | DATE                       |  |
|-----------|-------------|-----------|----------------------------|--|
| DRAWN     | JP Air Tech |           | 13.05.2014                 |  |
| CHK'D     | T. Pavlović |           | 13.05.2014                 |  |
| APPV'D    |             |           |                            |  |
| MFG       |             |           |                            |  |
| Q.A       |             |           |                            |  |
| MATERIAL: |             |           | PLASTICS<br>(Color: BLACK) |  |
| WEIGHT:   |             |           |                            |  |

TITLE: ALL INFORMATION CONTAINED IN OR DISCLOSED BY THIS DOCUMENT IS CONSIDERED CONFIDENTIAL AND PROPRIETARY BY JP AIR TECH. ALL DESIGN ARE EXPRESSLY RESERVED BY AND TO JP AIR TECH AND COMMUNICATION OF THIS INFORMATION TO OTHERS IS PROHIBITED WITHOUT THE PRIOR WRITTEN CONSENT OF JP AIR TECH.

|            |                                |    |
|------------|--------------------------------|----|
| DWG NO.    | <b>JXPF-325-UNIVERSAL-3L-V</b> | A4 |
| SCALE: 1:3 | SHEET 1 OF 1                   |    |