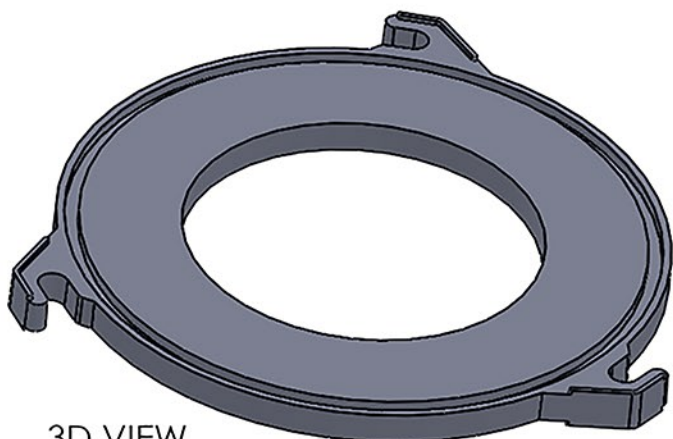
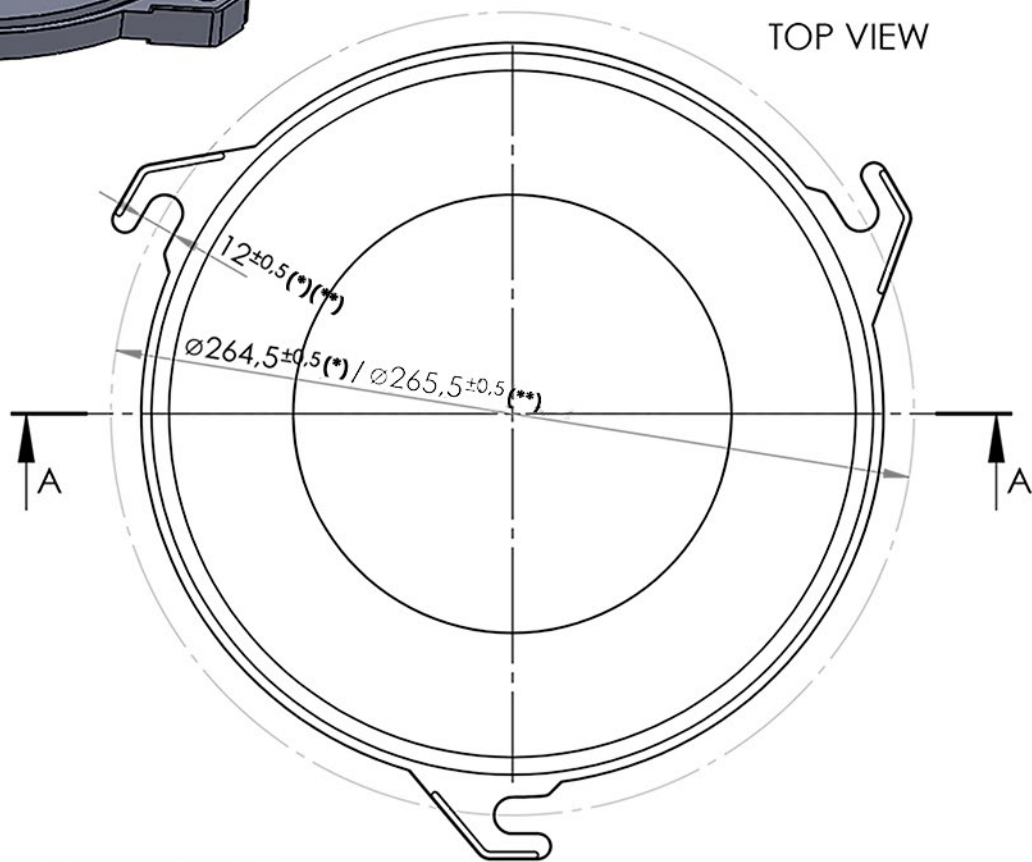


SECTION VIEW  
(SECTION A-A)



3D VIEW  
(SCALE: 1:3)



TOP VIEW

Note: This position is prepared for operating temperatures:

OPERATING TEMP. UP TO:	POSITION	MATERIAL	
+ 60 °C	JXPF-225-3L	STANDARD PLASTICS	(*)
+ 100 °C	JXPF-225-3L-HT1	REINFORCED PLASTICS	(**)
+ 140 °C	JXPF-225-3L-HT2	REINFORCED & HEAT RESISTANT PLASTICS	(**)

UNLESS OTHERWISE SPECIFIED:  
DIMENSIONS ARE IN MILLIMETERS  
SURFACE FINISH:  
TOLERANCES:  
LINEAR:  
ANGULAR:

FINISH:

DEBUR AND  
BREAK SHARP  
EDGES

DO NOT SCALE DRAWING

REVISION

JP Air Tech

	NAME	SIGNATURE	DATE
DRAWN	JP Air Tech		22.05.2012
CHK'D	T. Pavlović		22.05.2012
APPV'D			
MFG			
Q.A			

TITLE: ALL INFORMATION CONTAINED IN OR DISCLOSED BY THIS DOCUMENT IS CONSIDERED CONFIDENTIAL AND PROPRIETARY BY JP AIR TECH. ALL DESIGN ARE EXPRESSLY RESERVED BY AND TO JP AIR TECH. COMMUNICATION OF THIS INFORMATION TO OTHERS IS PROHIBITED WITHOUT THE PRIOR WRITTEN CONSENT OF JP AIR TECH.

MATERIAL:  
PLASTICS  
Color: BLACK

DWG NO.

JXPF-225-3L

A4

WEIGHT:

SCALE:1:2.5

SHEET 1 OF 1